

ASSEMBLING INSTRUCTION

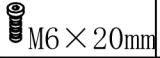
1 X1PC



2 X1PC



A X1PC



B X1PC



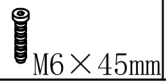
C X1PC



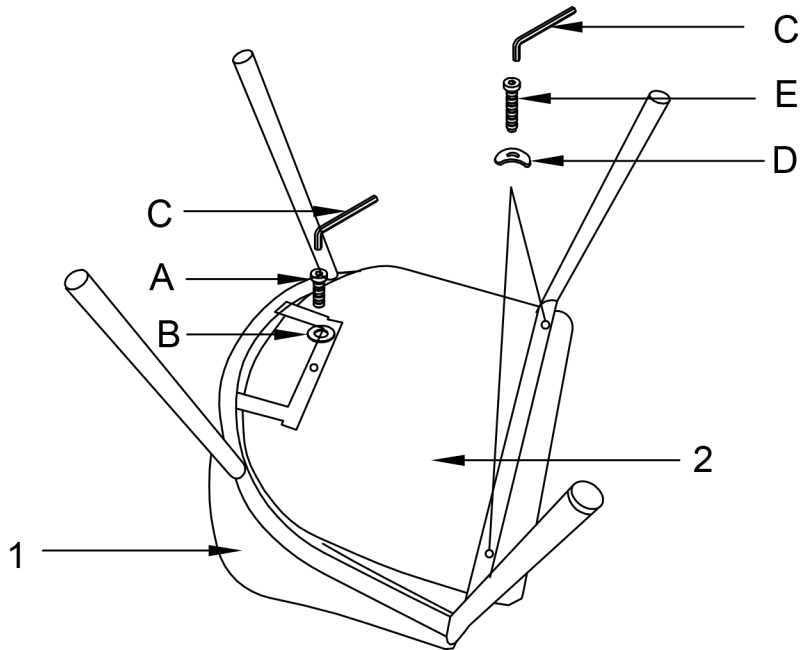
D X2PCS



E X2PCS



1



2

